

# EVBox Troniq Modular

A powerful charging station that can deliver up to 240 kW, serves your customers around the clock, and lets you deliver a first-class charging experience to keep your customers coming back to your location.





# Meet EVBox Troniq Modular

EVBox Troniq serves your customers around the clock thanks to upgradeable power modules that can combine to deliver up to 240 kW.

Plus, with its scalable architecture, Troniq can help your charging operation grow.

## Build

to maximize revenue

- Support and services via EVBox Care plans
- Easy to transport, install, and maintain
- Extensive network of certified service partners

## Optimized

for every location

- Charge up to 3 vehicles simultaneously
- Distribute power via load balancing
- Implement a prioritization strategy

## Integrate

seamlessly with your business

- Scalable architecture
- OCPP-compliant and compatible with any EV
- Easy-to-brand design



### IDEAL FOR



Workplace



Charging port  
operators



Transit and  
transport



Retail



Fuel Retail



# Create a sustainable revenue stream

## Modular architecture that serves your customers around the clock:

EVBox Troniq Modular uses upgradeable power modules that can work independently. This allows your charging station to continue serving customers and drivers in the rare case that an individual power module ceases to function optimally. EVBox Troniq Modular's architecture allows its components to be maintained and replaced easily. Because of its modular design, EVBox Troniq contains fewer components meaning shorter installation and maintenance time.

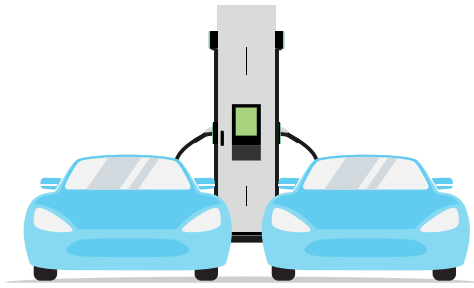
EVBox Troniq Modular serves your customers around the clock thanks to upgradeable power modules that can be combined to deliver up to 240 kW.



## Bundled for reliability:

EVBox Care plans consist of a range of packages offering unique combinations of services designed to maximize the performance of your EVBox Troniq at a predictable cost to your business.





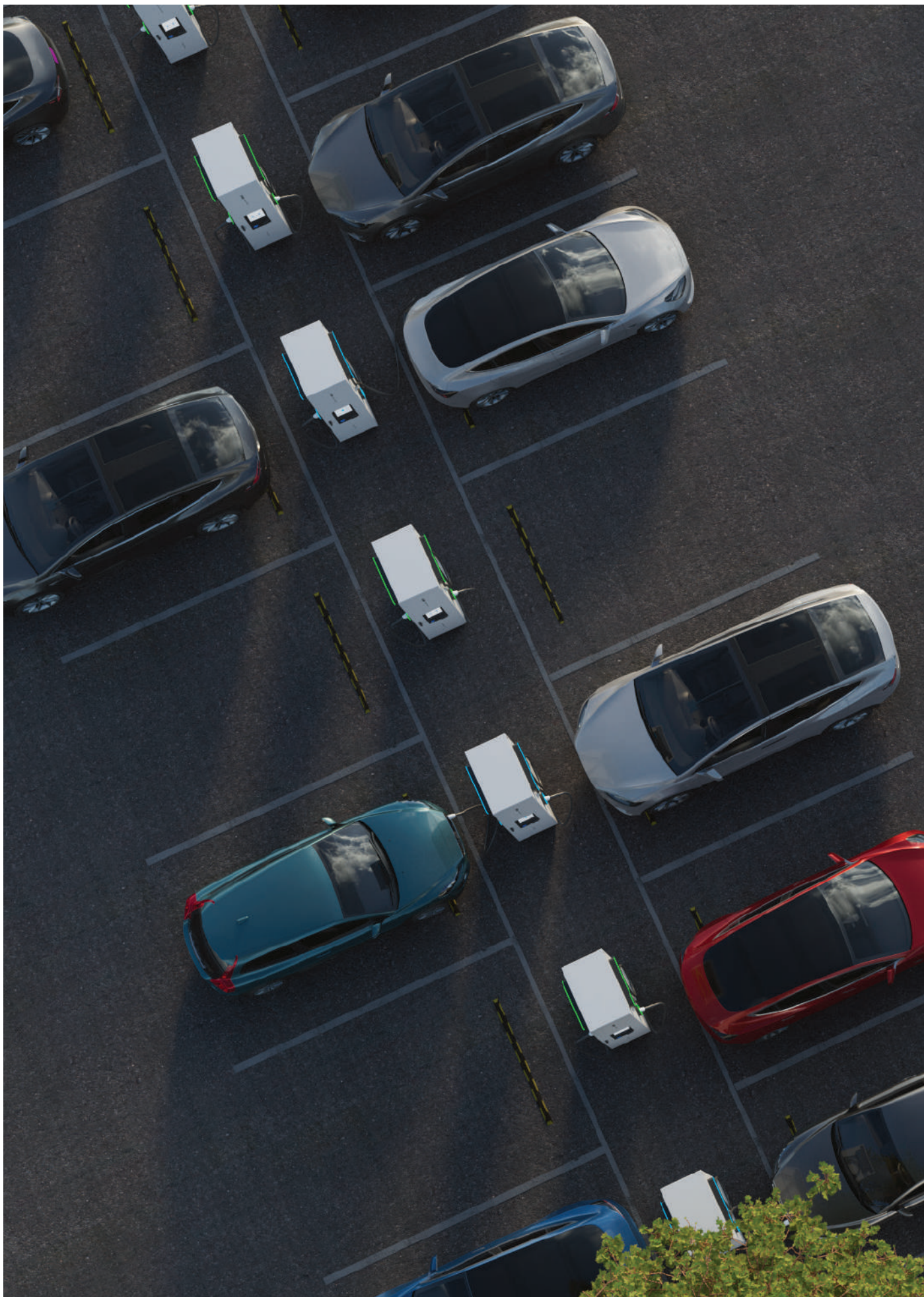
# Safeguard your location and investment

Every EVBox Troniq Modular enables a variety of smart charging features that allow you to efficiently utilize your location and save on costly grid upgrades.

## Simultaneous charging:

EVBox Troniq Modular can charge two or three vehicles at the same time, allowing you to better utilize your existing space.





# Optimized for every location

**Avoid costly grid updates** by setting maximum current available at your location through your charging management software (OCPP) and choosing a prioritisation strategy.

**Create an additional stream of income** for your business with EVBox Troniq Modular by setting a fee on charging sessions. You can set transaction, energy, and time-based fees to earn back your investment and more.



STATION OWNER



CHARGING MANAGEMENT SOFTWARE

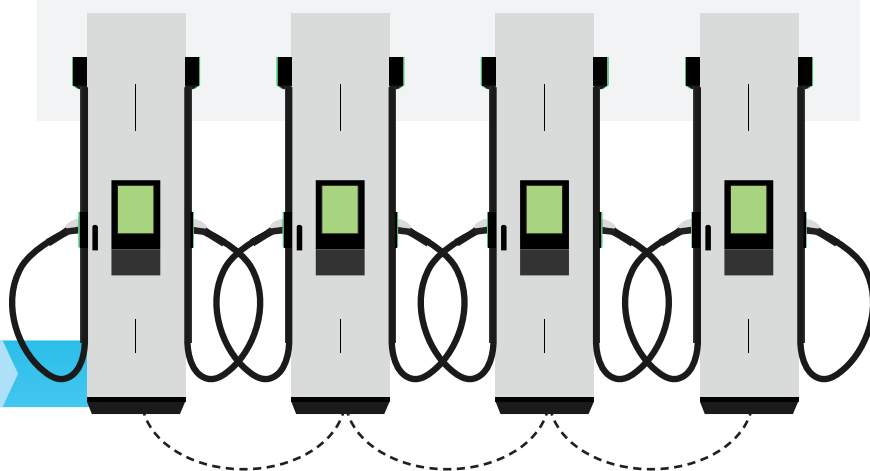
## Load Balancing

EVBox Troniq Modular lets you optimize power distribution between connectors to avoid costly grid upgrades and use the available power more efficiently.

## How are charging sessions optimized?

EVBox Troniq Modular charging sessions at your location can be optimized by implementing preset strategies. These strategies allow charging sessions to be prioritized by the time of arrival, current consumption, as well as the state of an EV's battery thanks to the Energy Management System.

Every few seconds, the leading charger evaluates and optimizes the charging sessions based on the pre-set strategies – the system never stops a session. It navigates between min current and max current of each connector.



EV DRIVERS



# Grow your operation

## Scalable architecture:

EVBox Troniq Modular offers upgradeable power modules that help your business grow as demand for EV charging increases. Starting at 90 kW, you can add 30 kW power modules to deliver up to 240 kW of power.

## Compatible with every EV, and **OCPP-compliant software:**

EVBox Troniq Modular can be equipped with up to three connectors: CHAdeMO, CCS 2 (dry or cooled), and AC Type 2, making it compatible with every EV on the market.

Thanks to our OCPP-compliant hardware, you're able to connect EVBox Troniq Modular with the charging management software of your choice—in consultation with an EVBox representative.





# Best in class driver experience

## Guiding LED lights

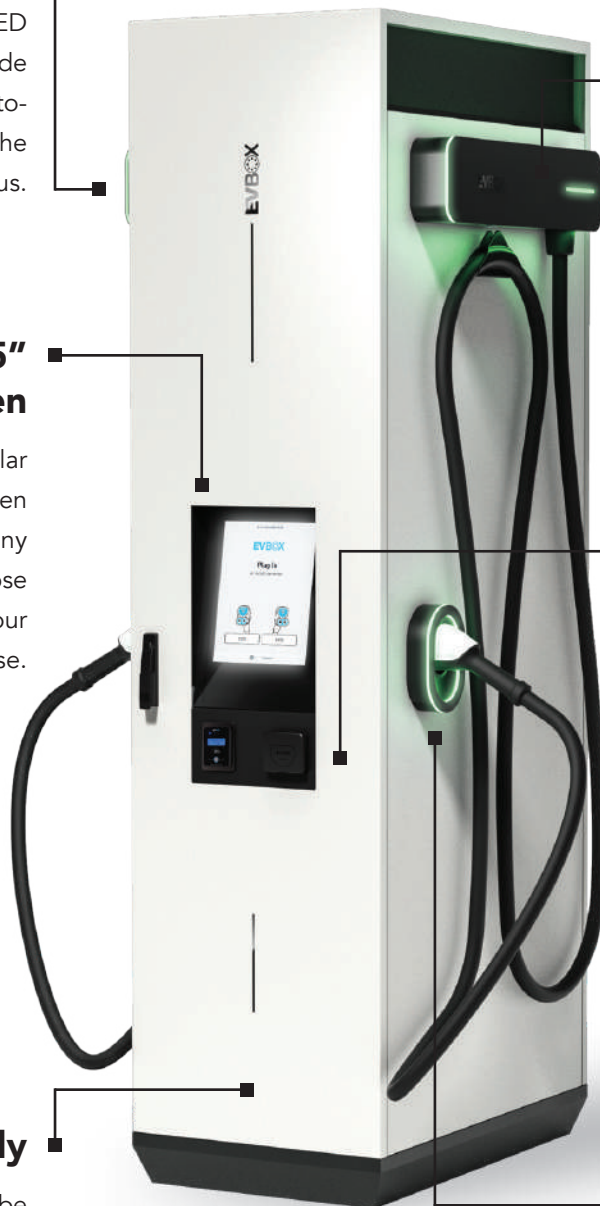
EVBox Troniq features LED status indicators that guide the user with clear, easy-to-understand information on the charging status.

## Intuitive 15" touchscreen

EVBox Troniq Modular features a large color touchscreen and can be operated using any four languages that you choose depending on your customer base.

## Branding-friendly

EVBox Troniq can be customized with your own branding to create a charging experience that is uniquely you.



## Cable management system

5 meter auto-retractable cables keep charging cables safe and off the ground. EV drivers can enjoy a seamless charging experience while your investment is protected.

## Optional payment terminal

EVBox Troniq Modular can be attached to an EMV credit card terminal for quick and accessible payments—in consultation with an EVBox sales representative.

## Wheelchair accessible

EVBox Troniq Modular is accessible to everyone, including wheelchair users, thanks to the height of the display and charging plugs.

# EVBox Troniq Modular options

## 1. POWER OUTPUT

- |                                 |                                 |
|---------------------------------|---------------------------------|
| <input type="checkbox"/> 90 kW  | <input type="checkbox"/> 180 kW |
| <input type="checkbox"/> 120 kW | <input type="checkbox"/> 210 kW |
| <input type="checkbox"/> 150 kW | <input type="checkbox"/> 240 kW |

## 2. CHARGING CABLES

- CCS2 500 A dry x2
- CCS2 500 A cooled x2\*
- CCS2 500 A dry + CHAdeMO 200 A

## 3. AC CHARGING

- With Type 2 Socket\*
- Without

## 4. EICHRECHT CERTIFICATION

- With Eichrecht certified DC meters (DACH only)\*
- Without

## 5. PAYMENT TERMINAL

- With Payter payment terminal\*
- Without

## 6. CHARGING MANAGEMENT SOFTWARE

- EVBox charging management software
- OCPP-compliant 3rd party software

## 7. SERVICES AVAILABLE

- Extended warranty
- On-site / remote commissioning assistance
- Preventive maintenance packages



\*Will be available later



# General specifications

## CHARGING MODES

**Mode 4 (DC charging)** CCS2 up to 500 A / 920 VDC and CHAdeMo up to 125 A / 500 VDC

**Mode 3 (AC charging)\*** Type 2 up to 22 kW

## CONNECTOR TYPE

**Mode 4** CCS2 500A dry or cooled, CHAdeMO (JEVS G105)

**Mode 3\*** Type 2 socket (22 kW)

## CABLE REACH

**Mode 4** Cable management activated: up to 5 m reach

## STRUCTURE AND PHYSICAL PROPERTIES

**Enclosure material** Powder coated steel (Corrosion protection proven for C4-M environment as per ISO 12944)

**Enclosure ratings** IP54 / IK10

**Operating temperature** -25°C to +40°C (+50°C with derating)

**Storage temperature** -40°C to +70°C

**Operating humidity** 5% to 95% non-condensing

**Cooling** Forced ventilation

**Maximum installation height** 1000 m

**Dimensions (W x H x D)** 866 x 2479 x 1050  
960x2500x1200 (Packaging dimensions)

**Weight** 680 kg (240 kW version)  
780 kg (240 kW version, including the packaging)

**Colors** Body: Traffic white (RAL 9016)  
Other: Black grey (RAL7021), Jet Black (RAL9005)

## CONNECTIVITY

**Authorization** Contactless reader RFID/NFC (ISO 14443, ISO 18092, ISO 15693, ISO

**Status indication** 18000-3, Calypso, Mifare Ultralight C, -Classic, -Desfire)

**HMI** LED strips and rings charging indicators, 15" anti-vandalism LCD color touchscreen

**Communication standard** 4G/LTE, Ethernet

**Communication protocol** OCPP 1.5, OCPP 1.6S, OCPP 1.6J, ready for update to OCPP 2.0

## CERTIFICATIONS

**EMC classification** CE, EMC Directive 2014/30/EU, Low Voltage Directive 2014/35/EU, EN/IEC, 61851-1, EN/IEC 61851-21-2, EN/IEC 61851-22, EN/IEC 61851-23

**Eichrecht compliant** Optional for DC

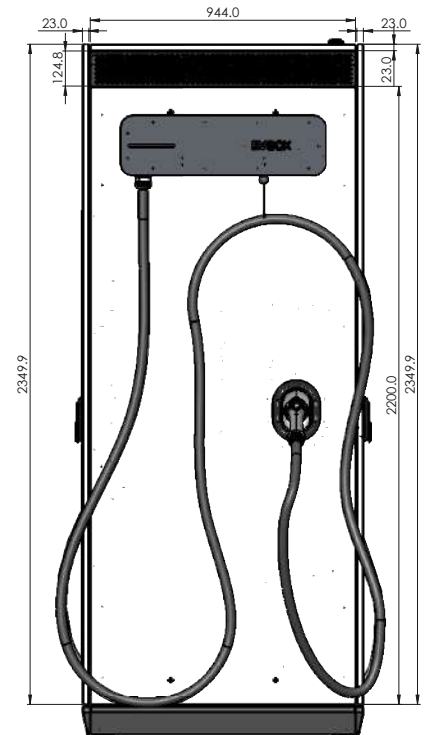
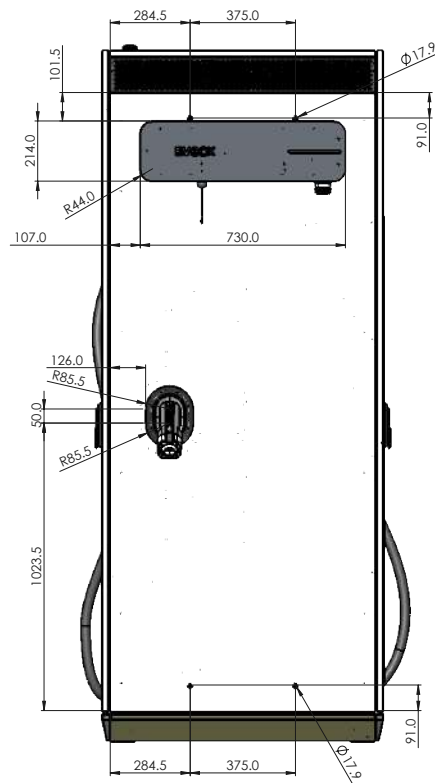
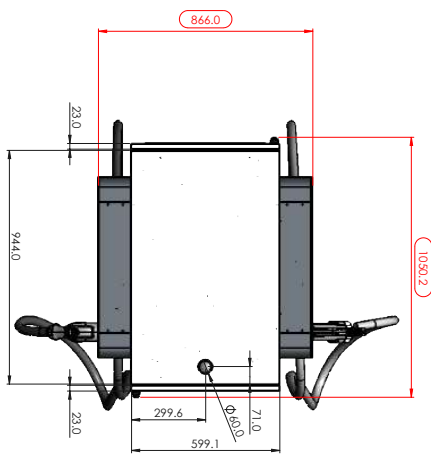
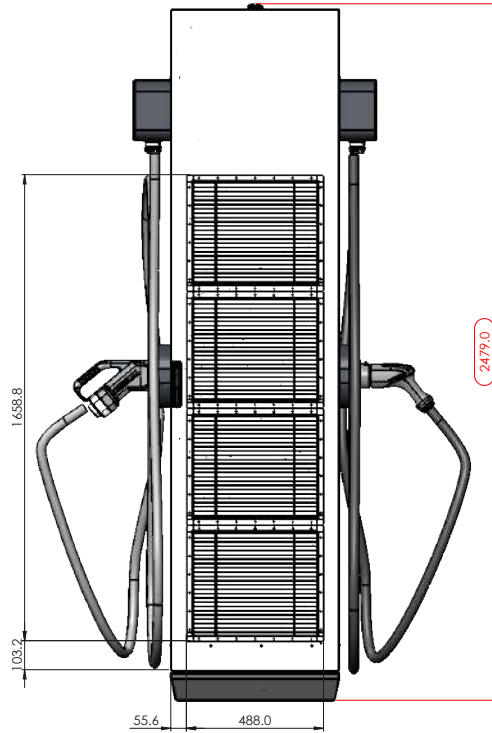
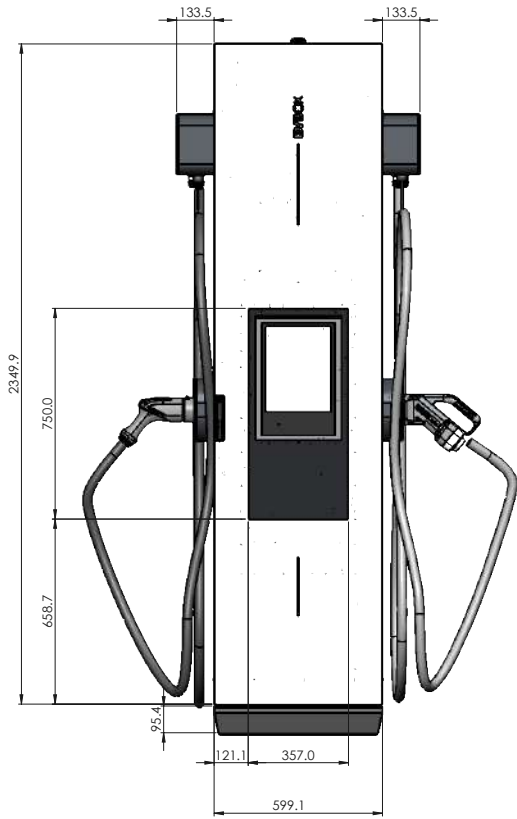
\*AC Type 2 Socket will be available soon.

# Technical specifications

AC INPUT	
<b>Voltage range</b>	400 VAC +/- 10%
<b>Number of phases</b>	3P + PE, 3P + N + PE (with AC socket option)
<b>Frequency</b>	50 Hz
<b>Nominal input current</b>	146 A at 90 kW 384 A at 240 kW
<b>Power factor</b>	> 0.99
<b>Efficiency</b>	95%
<b>Grounding system</b>	TT or TN-S
<b>Stand-by power consumption</b>	100 W or 1.1 kW in heating mode
DC INPUT	
<b>Output power</b>	up to 240 kW (8 modules) up to 210 kW (with the AC Type 2 socket version)
<b>Output power per module</b>	30 kW
<b>Output voltage range</b>	150 VDC – 920 VDC
<b>Output current range</b>	up to 500 A
AC OUTPUT*	
<b>Output power</b>	22 kW
<b>Output voltage range</b>	400 VAC +/- 10%
<b>Maximum output current</b>	32 A
<b>Metering</b>	AC MID certified meter included with AC Type 2 Socket version

\*AC Type 2 Socket will be available soon.

# Technical specifications









Copyright © 2021 EVBox Manufacturing B.V. Elvi®, EVBox® and the EVBox logo are registered trademarks. All rights reserved. EVBox has compiled this document to the best of its knowledge but does not warrant that all information provided is error-free; EVBox does not accept liability in that respect. All specifications are approximates only. The limited warranty conditions are stated in the applicable EVBox general terms and conditions. EVBPI\_TRONIQM\_EN\_072021 © EVBox Manufacturing B.V.  
EVBox Manufacturing B.V., Kabelweg 47, 1014 BA, Amsterdam, The Netherlands, [evbox.com/support](http://evbox.com/support)